

BWN Series

Low Noise Green / Yellow / Red / NIR Lasers



The BWN Series are very compact, self-contained, double thermoelectric (TE) cooled, solid-state Green, Red, and NIR lasers. They can be operated over a wide temperature range, 10 to 35°C with a stable and quiet laser output power. The combination of excellent beam characteristics, such as mode quality and low divergence, makes the lasers suitable for beam focusing, as well as long distance beam positioning. The compact power supply can be easily integrated into the OEM version, and the end user version has all the applicable safety features, such as key-lock switch, emission indicator and remote connector.

Applications

- Bio instrument
- Spectroscopy
- Metrology
- Wafer inspection
- Printing
- Micro-material processing
- Medicine
- Particle counting
- Photoluminescence



BWN Series

Low Noise Green / Yellow / Red / NIR Lasers

Typical Specifications

BWN Series	532 - xx	594 - xxx
Power Output (mW)	5, 10, 20, 50, 100*	5, 10, 20*
Wavelength (nm)	532 +/- 1	594 +/- 1
FWHM Spectral Line width (nm)	< 0.1	0.2
Mode	TEM ₀₀	
M²	1.1	1.2
Beam Size (1/e²)	< 1.0 mm	
Beam Divergence	< 1.5 mrad	
Long Term Stability (> 2 hrs)	< 5 %	
Short Term Noise (rms)	< 2 % (up to 20 MHz) Option (for OEM customer) < 0.2 %	< 2 % (up to 20 MHz)
Polarization	Linear (100:1)	
Operating Temp.	10 - 35 °C	
Warm-up Time	> 15 min	
Laser Head Dimension	35mm(H) x 50mm(W) x 100mm(L)	
Fiber Pigtail (option)	Single Mode fiber with FC/APC termination Multi Mode fiber with SMA905 termination	
TTL Modulation (option)	0 - 20 KHz	
Expected Lifetime (hrs)	> 10,000	
End User Driver Specifications	<u>BWN-532-xxx-E</u>	<u>BWN-594-xxx-E</u>
Operating Voltage	110 - 240 VAC	
Power Supply Dimension	55mm(H) x 105mm(W) x 125mm(L)	
OEM Driver Specifications	<u>BWN-532-xxx-OEM</u>	<u>BWN-532-xxx-OEM</u>
Operating Voltage	5 DVC	
Power Supply Dimension	25mm(H) x 80mm(W) x 105mm(L)	

* High power output as options are available upon request, please check with us before placing order.

BWN Series

Low Noise Green / Yellow / Red / NIR Lasers

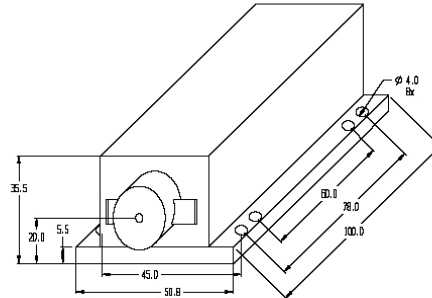
Typical Specifications

BWN Series	635 - xx	660 - xx	685 - xx	780 - xx	830 - xx
Power Output (mW)	3, 5, 10	5, 10	5, 10	5, 10, 20	5, 10
Wavelength (nm)	635 +/- 10	660 +/- 10	685 +/- 10	780 +/- 10	830 +/- 10
FWHM Spectral Line width (nm)	< 1 nm				
Mode	TEM ₀₀				
M ²	1.1				
Beam Size (1/e ²)	< 1.0 mm				
Beam Divergence	< 1.5 mrad				
Power Stability (> 2 hrs)	< 5 %				
Noise (rms)	< 2 % (up to 2 GHz)				
Polarization	Linear				
Operating Temp.	10 - 35 °C				
Warm-up Time	> 15 min				
Laser Head Dimension	35mm(H) x 50mm(W) x 100mm(L)				
Fiber Pigtail (option)	Single Mode fiber with FC/APC termination Multi Mode fiber with SMA905 termination				
TTL Modulation (option)	0 - 20 KHz				
Expected Lifetime (hrs)	> 10,000				
<u>End User Driver Specifications</u>	<u>BWN-xxx-xx-E</u>				
Operating Voltage	110 - 240 VAC				
Power Supply Dimension	55mm(H) x 105mm(W) x 125mm(L)				
<u>OEM Driver Specifications</u>	<u>BWN-xxx-xx-OEM</u>				
Operating Voltage	5 DVC				
Power Supply Dimension	25mm(H) x 80mm(W) x 105mm(L)				

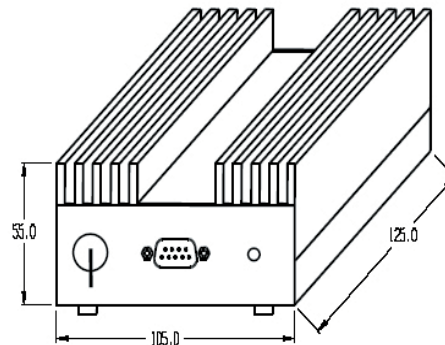
BWN Series

Low Noise Green / Yellow / Red / NIR Lasers

Laser Head Dimension:



End-user Driver Dimension:



OEM Driver Dimension:

